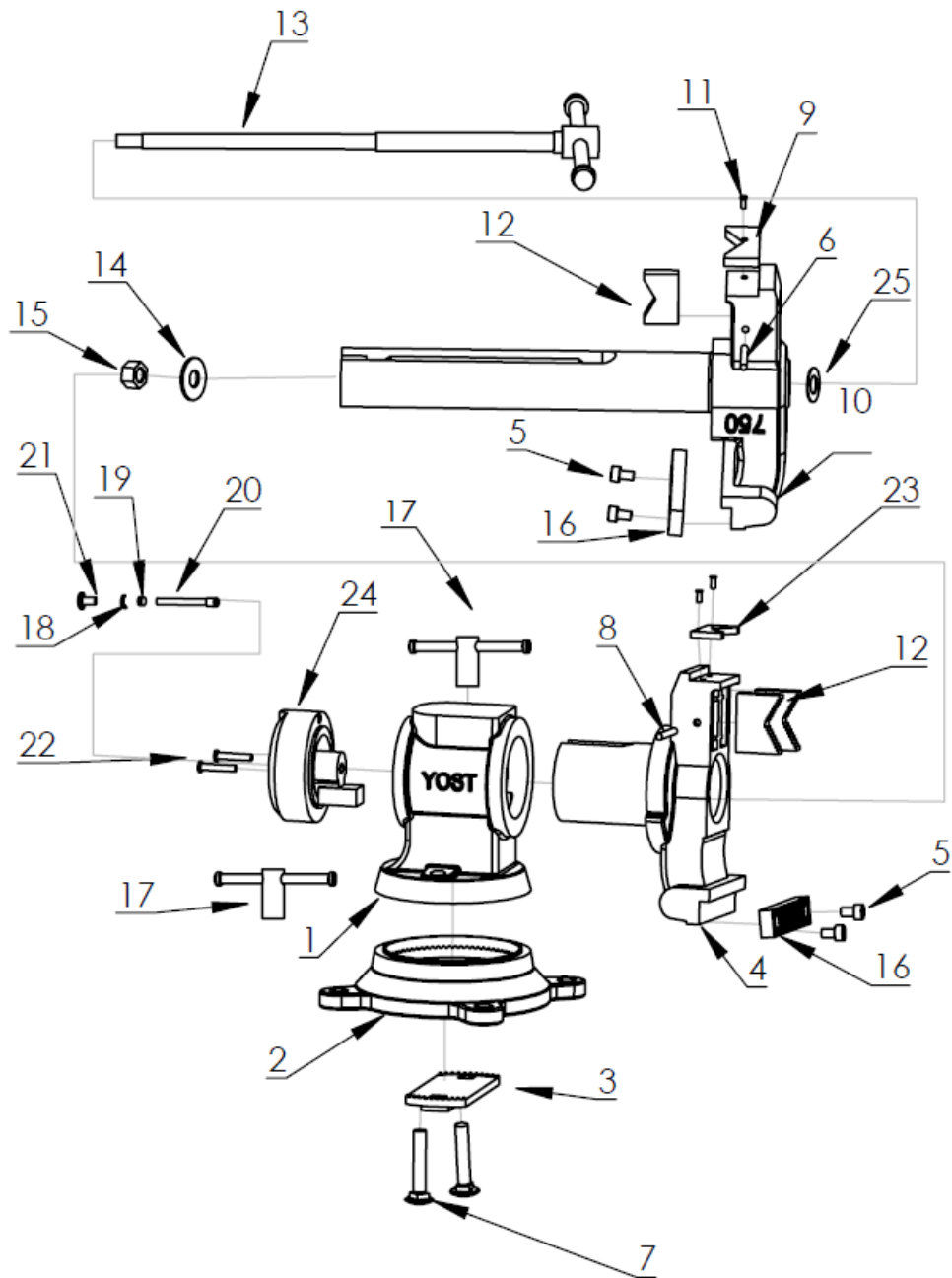


Isometric view of Yost Model 750-DI



Part Description for Yost Model 750-DI

<u>Part Number</u>	<u>Description</u>
1	Vise Body
2	Outer Base
3	Inner base Plate
4	Stationary Jaw
5	5/16 x 18 x 5/8 Socket Cap Screws
6	Retaining Pin - Moveable jaw
7	1/2 -13 x 2-1/2 carriage bolts ZP
8	Retaining Pin- Stationary jaw
9	Moveable V-Jaw Insert
10	Moveable jaw
11	6-1.0 x 16mm flat head screw
12	Pipe Jaw Insert
13	Lead Screw with handle, balled ends, (2) rubber washers
14	Flat Washer - Spacer
15	14-1.5mm locking hex nut
16	Serrated jaw (1 pair)
17	Lockdown
18	Retaining Ring
19	Spring
20	Lock Pin
21	Pull Knob
22	5-0.8 x 30 mm Socket head Bolt
23	V-Jaw Insert (Stationary Jaw)
24	Rear Cover
25	Flat Washer - Spacer